

LumiROD- Non corrosive range

A fantastic replacement for ANY outdoor fluorescent luminaire. An efficient, effective, reliable LED lighting solution capable of maximising your savings.



The non corrosive LumiROD has been designed and engineered to ensure the light output is maximised to provide an intense usable light. An efficient, effective, reliable and minimum maintenance LED lighting solution capable of maximising your savings by up to 80%. Ideal for canopy, multi-storey car parks, outdoor walkways or areas where a high IP rating is required.

The LumiROD uses only the highest specification LED's and components on the market to ensure maximum product life.

Product Features:

- High lumen Active LED output
- Ra 80 minimum
- Integrated power with high kV protection
- Fault tolerant LED board
- Specific heat transfer material
- Non corrosive housing
- Minimum glare lens
- Multi diffuser options available
- Integrated maintained emergency optional

Advanced Features (Optional):

- PIR movement sensor programmable by IR
- Daylight Harvesting sensor programmable by IR
- Time delay function
- Adjustable detection area sensitivity
- Manual Dimming
- Step down illuminance
- Maintained Illuminance
- Scene setting and recall
- Maintained presence detection
- Fully programmable feature settings
- Fully dimmable 0—100%
- Programmable via handset



Low Energy Designs Ltd

Unit 9A Sunrise Business Park, Higher Shaftesbury Road, Blandford Forum, Dorset DT11 8ST United Kingdom

Tel: + 44 (0) 1258 858171 Fax: +44 (0) 1258 858170

sales@lowenergydesigns.com

www.lowenergydesigns.com

PRODUCT SPECIFICATION DATA

IP66

CE

IK08

-40°C

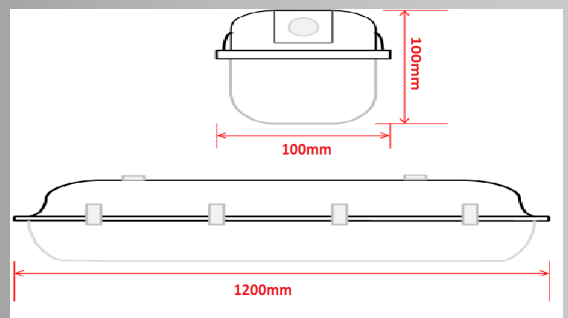
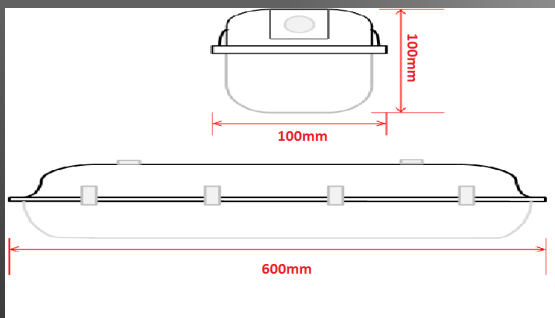
+55°C

PRODUCT	LumiROD 212	LumiROD 414	LumiROD 416	LumiROD 419
PRODUCT CODE	LR212-CW-D	LU414-CW-D-I	LR416-CW-D-I	LR419-CW-D-E
SUPPLY VOLTAGE	90 - 305Vac, PFC= 0.95	90 - 305Vac, PFC = 0.95	90 - 305Vac, PFC = 0.95	90 - 305Vac, PFC-0.95
POWER RATING	25 Watts @ Max Typically set to 23 Watts	40 Watts @ Max Typically set to 36 Watts	60 Watts @ Max Typically set to 54 Watts	80 Watts @ Max Typically set to 72 Watts
LUMENS	2180 (+/- 5%) **	4786 (+/- 5%) **	6137 (+/- 5%) **	7507 (+/- 5%) **
OPERATING TEMP	-40°C to + 55°C Ambient			
INGRESS	IP66			
BODY MATERIAL	GRP V2 housing. IK08 Housing: Non corrosive			
LIGHT COOLING	Convection, In hot climates Power supply is on the outside.			
COLOUR RENDERING	5.3K (+/- 2.5%) Ra <80+ typical			
COMPLIANCE	CE, RoHS, BS EN 60598-2 3:2003, 1:2004, EMC, V0 & V2, IK03, HB, UL94			
WEIGHT/DIMENSIONS	600mm (L) x 100mm(W) x 100mm(H) Weight– 1.7kg	1200mm (L) x 100mm(W) x 100mm(H) Weight– 2.6kg	1200mm (L) x 100mm(W) x 100mm(H) Weight– 2.8kg	1200mm (L) x 100mm(W) x 160mm(H) Weight– 2.9kg
MOUNTING	Direct to flat surface or Suspended			
EMERGENCY	EMERGENCY 3 HOUR MAINTAINED – INTEGRATED INTO LED LUMINAIRE. DIMS TO APPROX 10% IN EMERGENCY MODE. ***			

* Lumen & Power levels may decrease in high temperatures due to safety devices installed to prolong product life

** Depending on lens type and ambient conditions

*** Emergency externally mounted



Low Energy Designs Ltd

Unit 9A Sunrise Business Park, Higher Shaftesbury Road, Blandford Forum, Dorset DT11 8ST United Kingdom

Tel: + 44 (0) 1258 858171 Fax: +44 (0) 1258 858170

sales@lowenergydesigns.com

www.lowenergydesigns.com

