

vizULO



STONE

V 220 - 240
Hz 50 - 60
W 10 - 45
lm 1300 - 5800
lm/W 122 - 139
K 3000 / 4000
CRI >80

Chromaticity tolerance (initial MacAdam): 3
DALI / Non dimmable
Mounting: Surface/ Pendant
Body material: Light grey polycarbonate (PC)
Cover type: Opal polycarbonate (PC)
Catches: Stainless steel
Ambient temperature:
-15 ... +35 °C - non dimmable ⁽¹⁾
-25 ... +35 °C - dimmable ⁽¹⁾
-40 ... +35 °C - freezers ⁽¹⁾
0 ... +35 °C - emergency
Halogen free wires
50 000 h (L90B50) at Ta = 25 °C
100 000 h (L80B50) at Ta = 25 °C
Warranty 5 years



RoHS
IP65 / IP66 / IP67
IK08

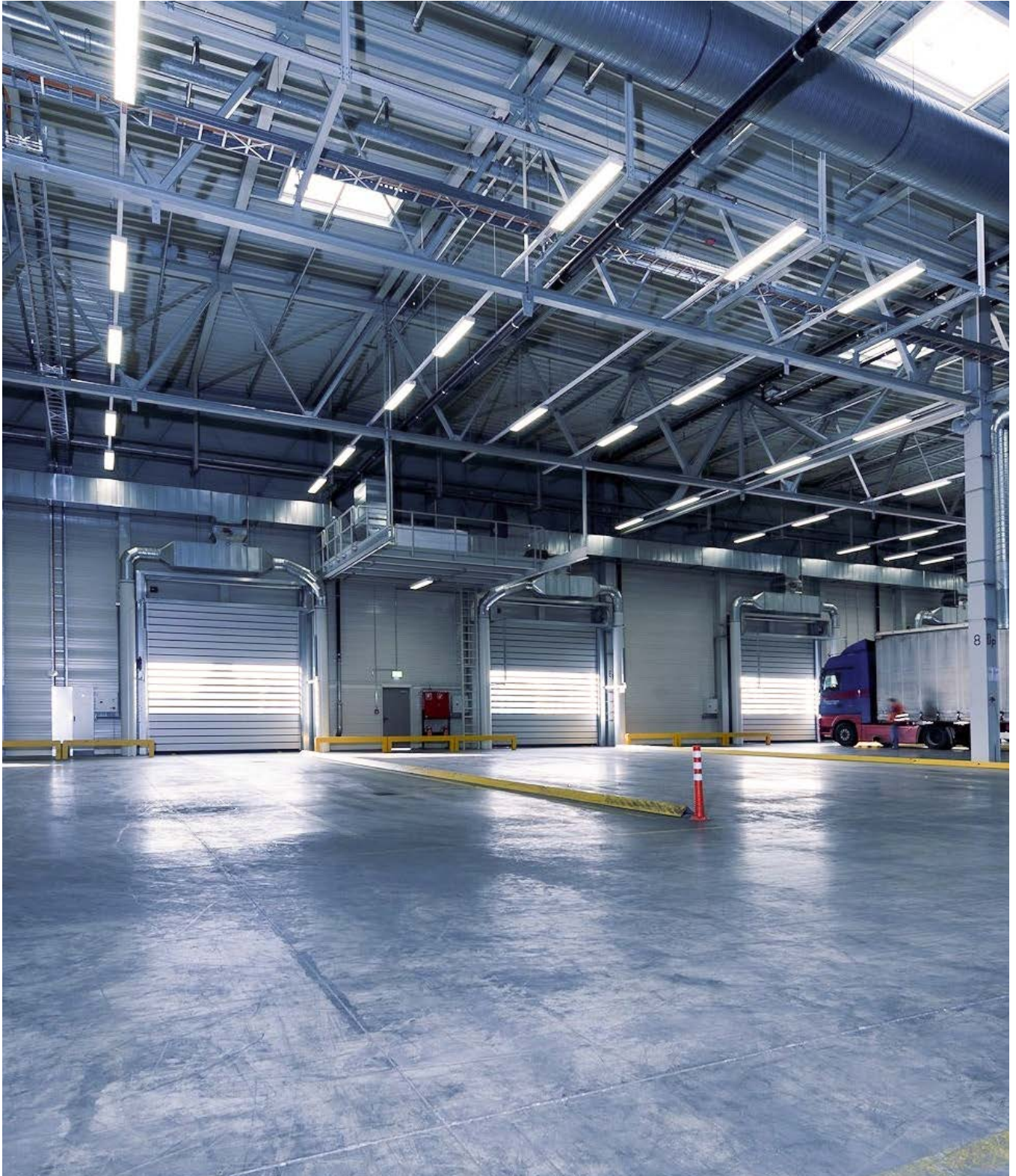
⁽¹⁾ Minus °C temperature applicable only when ventilation glands are ordered as accessories

Last modified | **2020, 24 September**
Data subject to change

Total lumen output for final product can differ from typical data by 7% due to special conditions of LED manufacturing processes.



| Application



| Exploring Stone

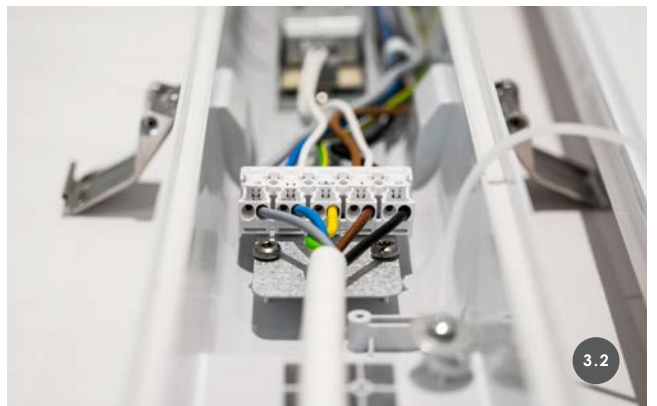
Easy disconnection of LED module and driver plate



Gasketing to ensure IP protection



Through wiring with five pole terminal blocks | 1.5 mm diameter cables



| Exploring Stone

Luminaire mounting directly to ceiling with the use of screws (4.1)

Luminaire mounting with stainless steel bracket (4.2)



Ventilation gland for cable entry up to 12mm



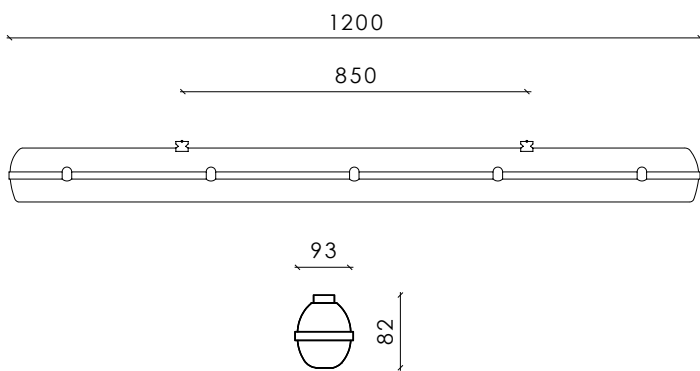
Catches of polyamide



Catches of stainless steel



| Dimensions



| Length - Power

Length/Power	1200 mm
Single	10 - 45 W
Single EM*	10 - 30 W

* Emergency

| Accessories



- 70042016 Connection cable 5x1.5mm² (x2.5m) with open end
- 70042017 Connection cable 5x2.5mm² (x2.5m) with open end



- 70042018 Connection cable 3x1.5mm² (x2.5m) with open end
- 70042019 Connection cable 3x2.5mm² (x2.5m) with open end



- 70042022 Connection cable 3x1.5mm² (x2.5m) with plug



- 70042009 Connection cable 5x1.5mm² (x2.5m) with Ensto(NAC51S.W) 5-way plug



- 70042007 Connection cable 5x1.5mm² (x2.5m) with Wago Winsta(770-115) 5-way plug
- 70042012 Connection cable 5x2.5mm² (x2.5m) with Wago Winsta(770-115) 5-way plug

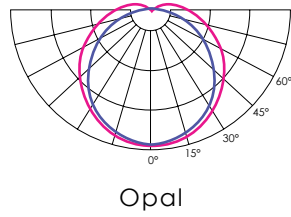


- 70042030 Connection cable with DALI 5x1.5mm² (x2.5m) with Wago Winsta(770-1115) 5-way plug



- 70043010 Set of 2 ventilation glands

| Optic



| Model name principles

<p>ST</p> <p>Model classic (prismatic) - C</p> <p>Ambient temperature range Non dimmable (-15 ... +35 °C) - L Dimmable (-25 ... +35 °C) - M Freezer (-40 ... +40 °C) - F Emergency (0 ... +35 °C) - E</p> <p>Power [W] 10 ... 45</p> <p>Color renderind index ≥80 - 8 ≥90 - 9</p> <p>Color temperature [K] 2700 ... 6500 Standard values: 3000 K - 30 4000 K - 40</p> <p>Length 1200 mm - 12 <small>actual luminaire dimensions differ from the values above</small></p> <p>Width single (x1) - S</p> <p>Fastening clips plastic - P stainless steel - S</p> <p>Through wiring yes - Y no - N</p> <p>Dimming no dimming - N DALI - D 1-10V - A</p> <p>Insulation class I - I</p> <p>Sensor no sensor - NS microwave (mw) - MW mw, master - MM mw, corridor function - MC mw, corridor function, master - MK</p> <p>Emergency no emergency - 0 1 hour - 1 3 hours - 3</p>	
--	--

EXAMPLE STC 45 840 12S SY N1NS0

| High quality components

LEDs used



Samsung Midpower

Drivers used

First Priority Non dimmable

TRIDONIC



Second Priority Non dimmable

OSRAM



HELVAR



First Priority Dali

TRIDONIC



Second Priority Dali

OSRAM



HELVAR



| **VIZULO**

Starta street 1
Riga, LV – 1026, Latvia

Sales: + 371 67 383 023
Production: + 371 67 383 024

office@vizulo.com
www.vizulo.com



VIZULO



VIZULO_PHOTO

