

GRAFIX



LUXINTEC

Make visible what you want more

MODELS

MS



LS



MH



TYPES OF LIGHTING



APPLICATION AREAS

Museums



Shop windows



Interiors of shops



Supermarkets



Restaurants



Churchs



Historical buildings



Access halls





MS with **DIAMOND** reflector



High efficiency **DIAMOND** reflector

Up to 131 lm/W

- **SURFTHERM** technology for optimised heatsink

- Optional in MH:

- Tunable white 2700..5000K

- Wireless dimming with App

- Up to L80B50 95,000 hours

MS with **XQUARE OPTICS**



Up to 135 lm/W

Q3

Q6

R3

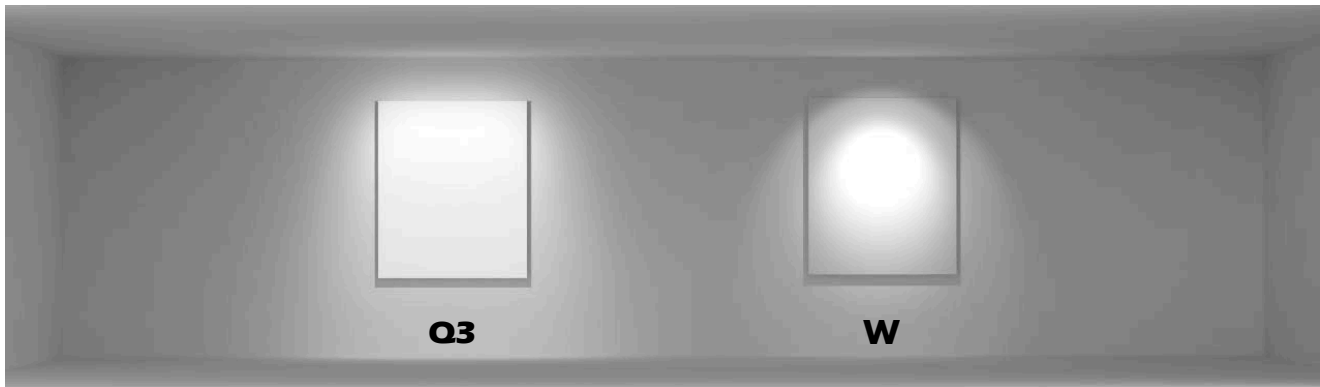
Q9

R1

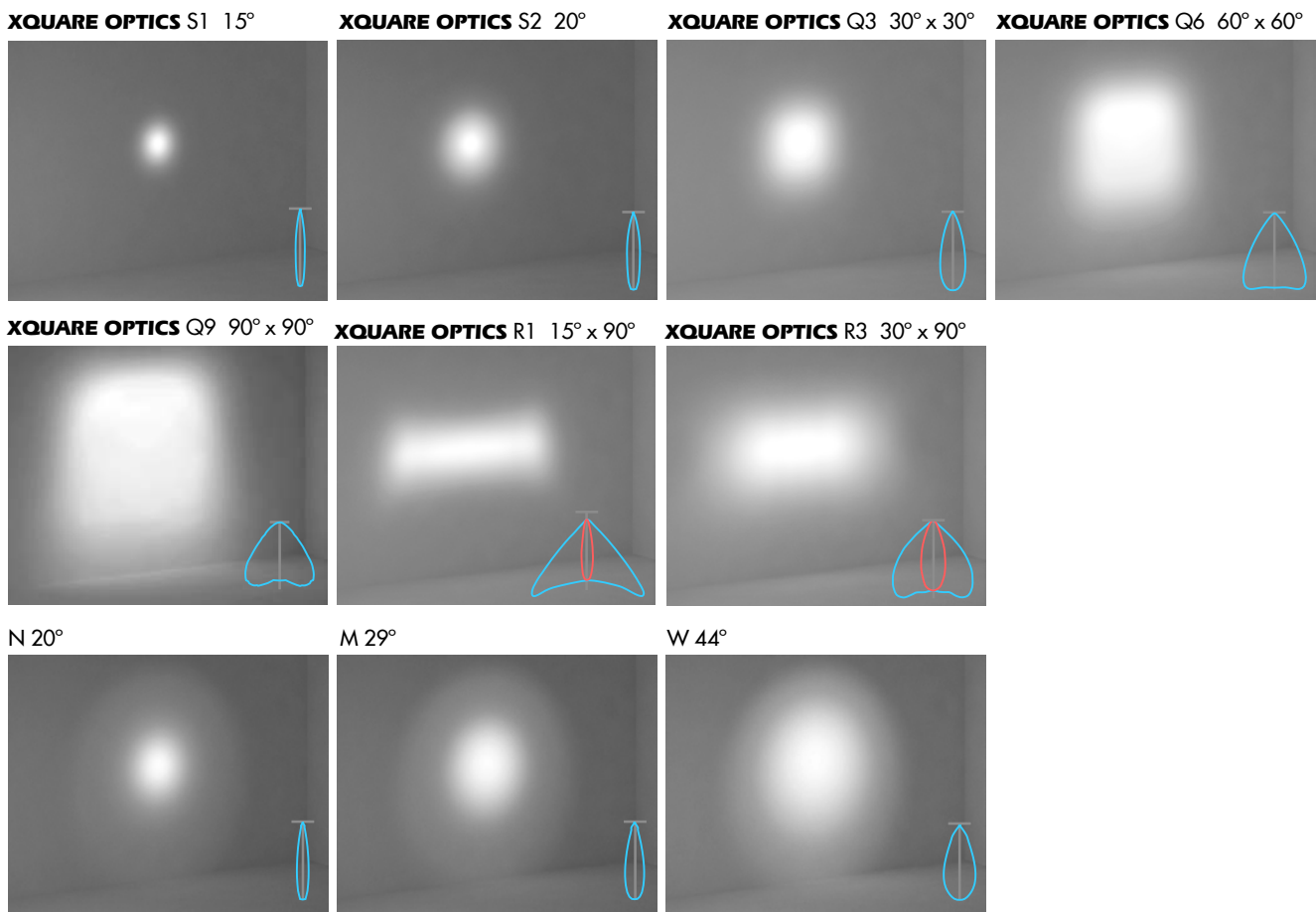
XQUARE OPTICS



Interchangeable **XQUARE OPTICS KIT**



PHOTOMETRIES



Isolux curves: — 0° - 180° — 90° - 270°

LUMINOUS FLUX

VERSION	POWER RATING (W)	2700K CRI 80+		3000K CRI 80+		4000K CRI 80+	
		LUMINOUS FLUX (lm)	LIGHTING EFFICIENCY (lm/W)	LUMINOUS FLUX (lm)	LIGHTING EFFICIENCY (lm/W)	LUMINOUS FLUX (lm)	LIGHTING EFFICIENCY (lm/W)
GRAFIX MS / MH S2 OPTICS	18	2233	124	2311	128	2432	135
	27	2919	108	3020	112	3178	118
GRAFIX MS / MH N OPTICS	18	2159	120	2234	124	2350	131
	27	2821	104	2919	108	3072	114
GRAFIX L N OPTICS	34	3836	113	3972	117	4712	123


Average values at 25°C ambient temperature. Total luminaire luminous flux. Visit www.luxintec.com to obtain photometric files of all versions.

OTHER CHARACTERISTICS

MATERIALS	Aluminium with SURFTHERM technology in light engine housing and rotation arm High transmittance polymer in cover and XQUARE OPTICS diffusers
FINISHES	Metallised in reflectors High resistance powder coating in housing and rotation arm
LIGHT ENGINE SERVICE LIFE	95,000 hours L80B50 83,000 hours L80B10
DRIVER SERVICE LIFE	> 50,000 hours
OPERATING AMBIENT TEMPERATURE	-20°C up to 35°C
COLOUR CONSISTENCY SDCM	< 3 MacAdam ellipses
TYPE OF POWER FEED	230VAC, 50..60Hz
WEIGHT	1.1 Kg model MS 1.3 Kg model MH 1.5 Kg model LS

REFERENCE CODING

		REF.	DESCRIPTION	WEB PRODUCT CONFIGURATOR	AVAILABLE FOR
01	MODEL	GMS	GRAFIX MS		
		GMH	GRAFIX MH		
		GLS	GRAFIX LS		
02	MOUNTING	A	Surface mounted		GRAFIX MH
		T	On three-phase track		All
03	POWER RATING	12	12W		GMS and GMH
		16	16W		GMH 2700..5000K
		18	18W		GMS and GMH (except 2700..5000K)
		27	27W		GMS and GMH
		34	34W		GRAFIX LS (27W for DALI dimmable)
04	ELECTRICAL EQUIPMENT	F	Non-dimmable		All
		D	DALI dimmable		
		DL	App bluetooth dimmable		All (except GLS 34W)
05	LIGHT COLOUR	2	2700K		All
		3	3000K		
		B3	3000K brilliant		
		M3	3500K meat		
		4	4000K		
		M5	5300K meat		
06	CRI	T	2700..5000K		GRAFIX MH
		A	80+		2700K, 3000K, 4000K and 2700..5000K
		C	90+		All (except for 3500K and 5300K meat)
07	OPTICS	X	Without CRI		3500K meat and 5300K meat
		S1	XQUARE OPTICS 15°		GRAFIX MS and GRAFIX MH
		S2	XQUARE OPTICS 20°		
		Q3	XQUARE OPTICS 30° x 30°		
		Q6	XQUARE OPTICS 60° x 60°		
		Q9	XQUARE OPTICS 90° x 90°		
		R1	XQUARE OPTICS 15° x 90°		
		R3	XQUARE OPTICS 30° x 90°		
		UN	Ultra-narrow optics 5°		GRAFIX LS
		N	Narrow optics 18°		All
M	Medium optics 28°				
08	LUMINAIRE COLOUR	W	Wide optics 44°		All
		S2C	XQUARE OPTICS ~20° for interchangeable optics		
		XK	XQUARE OPTICS ~20° with KIT XQUARE OPTICS Q3, Q6, Q9, R1 and R3 interchangeable		
08	LUMINAIRE COLOUR	C	Textured white		All
		O	Textured black		
		H	Textured grey		

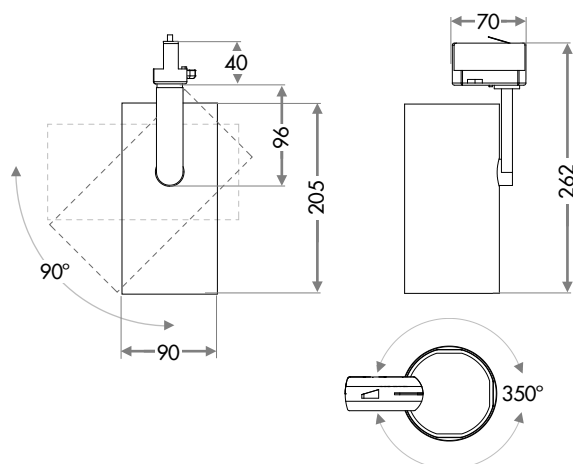
 Other customised features under request

GRAFIX is manufactured to meet all current regulations and guidelines: UNE 12464, UNE 12193 and EN 60598 under ISO 9001, ISO 14001 and UNE 166002. All figures shown are average values at 25°C ambient temperature.

DIMENSIONS mm

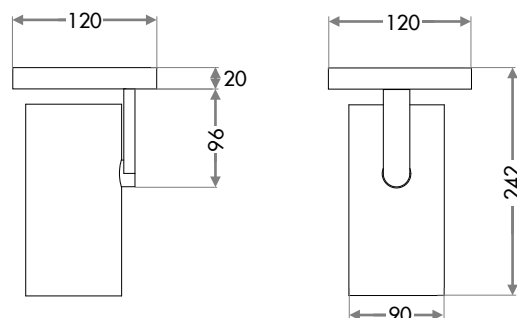
THREE-PHASE TRACK MOUNTING

GRAFIX MH

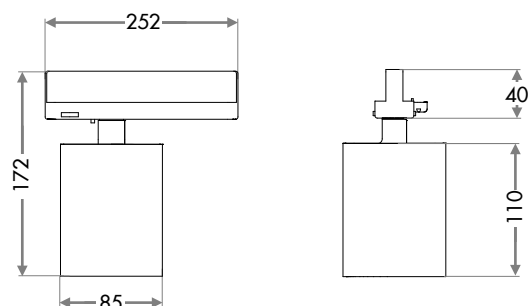


SURFACE MOUNTING

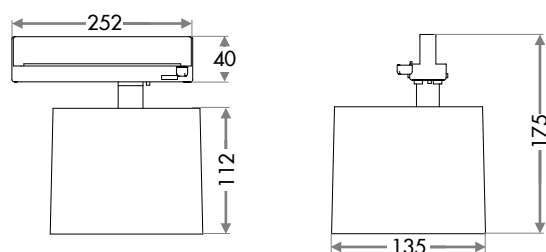
GRAFIX MH



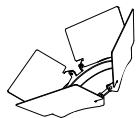


GRAFIX MS



GRAFIX LS



ACCESORIES

	REF.	DESCRIPTION	AVAILABLE FOR
	AOV00220	Anti glare barn doors M80-90, textured black.	Models MS and MH
	AOV00140	Anti glare barn doors M130, textured black.	Model LS
	AOV0005	KIT optics XQUARE OPTICS Q3, Q6, Q9, R1 and R3 interchangeable.	S2C
	AOV0018	Diffuser XQUARE OPTICS ~30° x 30° interchangeable.	
	AOV0019	Diffuser XQUARE OPTICS ~60° x 60° interchangeable.	
	AOV0016	Diffuser XQUARE OPTICS ~90° x 90° interchangeable.	S2C
	AOV0020	Diffuser XQUARE OPTICS ~15° x 90° interchangeable.	
	AOV0021	Diffuser XQUARE OPTICS ~30° x 90° interchangeable.	
	ASV0015	Programmable wireless control, white, dimmable 4 scenes, wall mounting.	App bluetooth dimmable versions