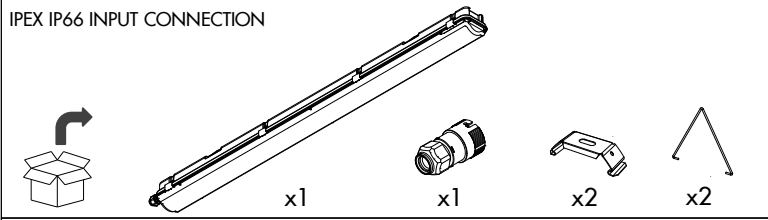
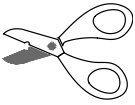
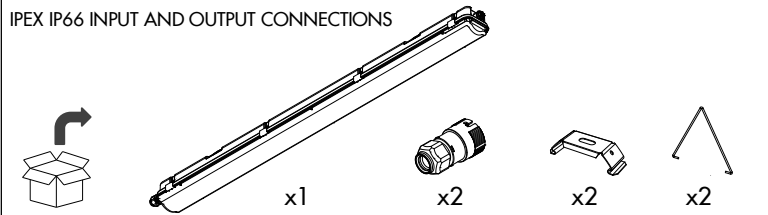
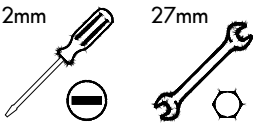


## INSTALLATION, OPERATION, MAINTENANCE AND RECYCLING INSTRUCTIONS

### PACKAGING CONTENT

### TOOLS REQUIRED

<p>IPEX IP66 INPUT CONNECTION</p> 	 <p>Cable stripper</p>
<p>IPEX IP66 INPUT AND OUTPUT CONNECTIONS</p> 	 <p>2mm                      27mm</p>

Thank you for purchasing a LUXINTEC luminaire with high performance and durability, and environmental friendly.

### PRECAUTIONS

1. Disconnect the power supply to the cable before the installation and maintenance of the product.
2. All installation and maintenance operations must be done by a qualified electrician.
3. The installation, operation, maintenance and recycling of the product must be carried out while complying with the applicable rules and guidelines. An electric technician must issue a declaration of conformity of the installation with those rules and guidelines.
4. All the connections must be protected by connectors and/or cable insulators standardized for the application.
5. The installation, location and operation of the product must be carried out in a way that all the parameters specified in the label and documentation delivered with the product are met. If this information cannot be found, do not proceed with its installation and contact LUXINTEC.
6. Keep this document for future reference.
7. The pictures are for reference, they may not coincide exactly with the product received.

### LOCATIONS

8. Interior or exterior of buildings under cover.
9. Ventilated spaces and always used for people activities.

### OPERATION

10. Connect the luminaire to mains voltage in the range indicated on the product labelling.
11. The product can only be connected to an electrical line with protections against voltage peaks, overvoltages and harmonics free.
12. The ambient temperature around the luminaire must not exceed the indicated values on the product labelling. The service life of the luminaire is reduced by increasing the temperature above 25°C.
13. If the luminaire tightness degree is <IP66, it must be installed in places with a humidity lower than 70%.
14. Except as otherwise indicated in other product documentation, this product is not indicated for use in atmospheres with chemical, corrosive or explosive elements.

## MAINTENANCE

- Use only dry dusters, water or neutral degreasers to clean the product, the use of other chemical substances could damage it.
- In case of need for repair, contact LUXINTEC to receive appropriate instructions for each type of repair.

## RECYCLING

- After using the product do not throw it away and deliver it to an approved waste manager following the local guidelines or regulations.
- Packaging material is recyclable. To dispose it, previously separate the elements of paper, plastic and metals, placing them in specific recycling containers for each type of material.

## LIABILITY AND GUARANTEE

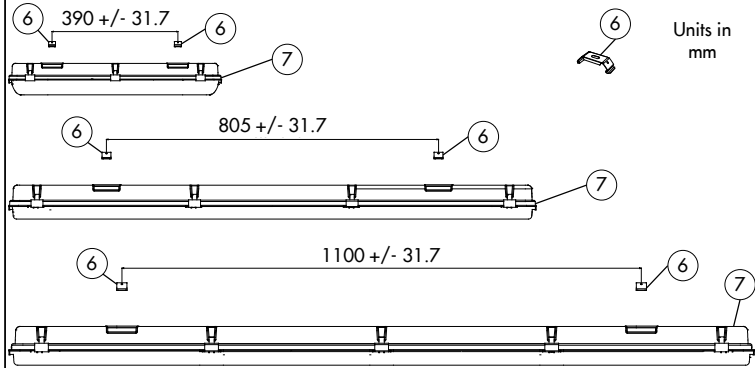
- LUXINTEC, S.L. is exempt from all liability arising from the incorrect installation, location, operation, maintenance and recycling of the product.
- LUXINTEC, S.L. guarantees the product only if:
  - it is fed by a power supply provided by LUXINTEC.
  - its installation and operation complies with the instructions described on this document.
- The general guarantee terms of the product are available at [www.luxintec.com](http://www.luxintec.com).

<p>1</p> <p>Peel the conductors of the supply cable ①.</p>	<div style="display: flex; justify-content: space-around;"> <div data-bbox="504 877 700 1013"> <p><b>CONNECTOR WITH 3 CONTACTS</b></p> <p>L → LINE N → NEUTRAL ⊕ → EARTH</p> </div> <div data-bbox="711 861 1080 1013"> <p><b>CONNECTOR WITH 5 CONTACTS</b></p> <p>1 → LINE 2 → DALI + 3 → DALI - N → NEUTRAL ⊕ → EARTH</p> </div> </div>
<p>2</p> <p>Pass the supply cable ① through the connection body ② and connect it to the connection block ③.</p>	
<p>3</p> <p>Tighten the screws ④ of the connection block ③ to fix the conductors.</p>	
<p>4</p> <p>Clip the connection block ③ to the connector body ②. Tighten the nut ⑤ of the connection body ②.</p>	

## A. FOR SURFACE MOUNTED

A. 5

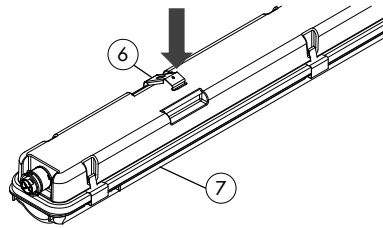
Fix the fixing springs (6) to the surface using the appropriate screws and plugs to the surface and to the weight of the luminaire (7).



A. 6

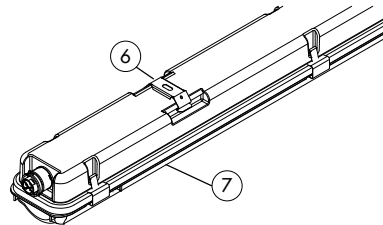
Clip one side of the fixing springs (6) to the luminaire (7).

Clip the other side of the fixing springs (6) to the luminaire (7).



A. 7

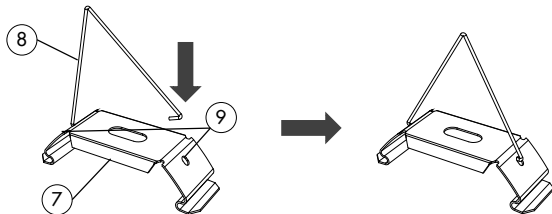
Repeat steps A.5 and A.6 to fix other fixing springs (6) at the opposite side of the luminaire (7).



## B. FOR SUSPENDED MOUNTED

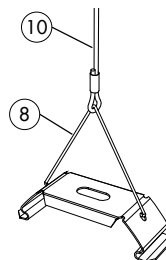
B. 5

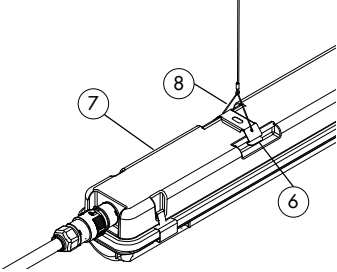
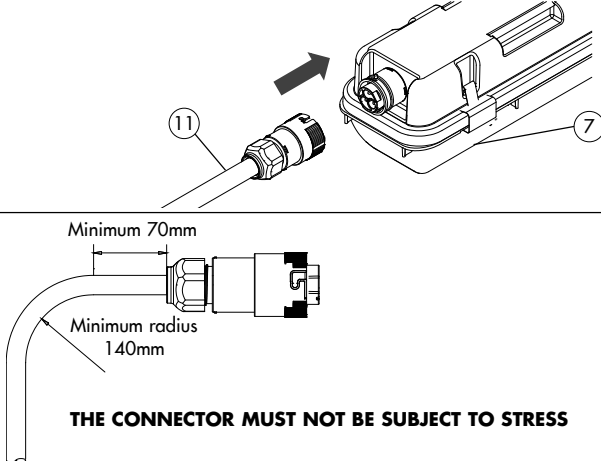
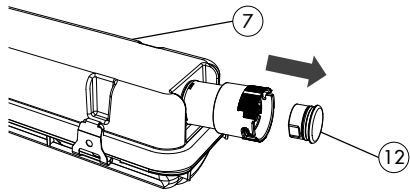
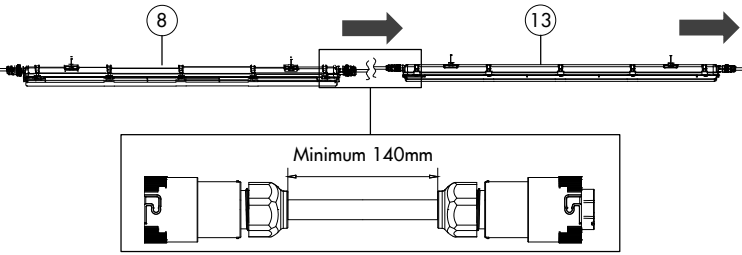
Mount the triangle (8) on the side holes (9) of the fixing springs (7).



B. 6

Pass the suspension element (10) through the triangle (8), and fix it to the ceiling.



<p>B. 7</p> <p>Fix the fixing springs (6) with the suspension triangle (8) to the luminaire (7), indicated in the steps A.6 and A.7.</p>	
<p>8</p> <p>Connect the electrical supply cable with connector (11) to the luminaire (7).</p>	 <p>Minimum 70mm</p> <p>Minimum radius 140mm</p> <p><b>THE CONNECTOR MUST NOT BE SUBJECT TO STRESS</b></p>
<p>9</p> <p><b>For line connection</b>, remove the line end cap (12) of the luminaire (7).</p>	
<p>10</p> <p>Connect the luminaire (7) and (13) and respect the minimum length of hose indicated in the scheme.</p> <p>NOTE: maximum intensity supported by the connector: 16A.</p>	 <p>Minimum 140mm</p>
<p>11</p> <p>Electrically feed the luminaire/s.</p>	

Thanks for trusting on LUXINTEC.

If you have any question about the installation, operation, maintenance or recycling of the luminaire, call the phone +34 983 130 056 or send us an email to [luxintec@luxintec.com](mailto:luxintec@luxintec.com).