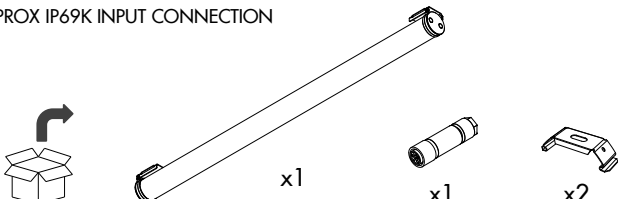
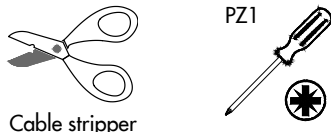
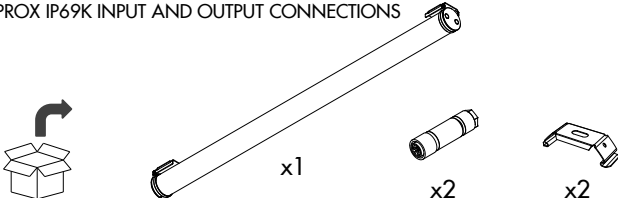
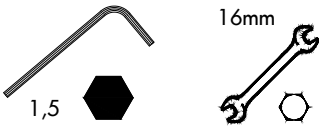


INSTALLATION, OPERATION, MAINTENANCE AND RECYCLING INSTRUCTIONS

PACKAGING CONTENT

TOOLS REQUIRED

<p>IPROX IP69K INPUT CONNECTION</p>  <p>x1 x1 x2</p>	 <p>Cable stripper PZ1</p>
<p>IPROX IP69K INPUT AND OUTPUT CONNECTIONS</p>  <p>x1 x2 x2</p>	 <p>1,5 16mm</p>

Thank you for purchasing a LUXINTEC luminaire with high performance and durability, and environmental friendly.

PRECAUTIONS

1. Disconnect the power supply to the cable before the installation and maintenance of the product.
2. All installation and maintenance operations must be done by a qualified electrician.
3. The installation, operation, maintenance and recycling of the product must be carried out while complying with the applicable rules and guidelines. An electric technician must issue a declaration of conformity of the installation with those rules and guidelines.
4. All the connections must be protected by connectors and/or cable insulators standardized for the application.
5. The installation, location and operation of the product must be carried out in a way that all the parameters specified in the label and documentation delivered with the product are met. If this information cannot be found, do not proceed with its installation and contact LUXINTEC.
6. Keep this document for future reference.
7. The pictures are for reference, they may not coincide exactly with the product received.

LOCATIONS

8. Interior or exterior of buildings under cover.
9. Ventilated spaces and always used for people activities.

OPERATION

10. Connect the luminaire to mains voltage in the range indicated on the product labelling.
11. The product can only be connected to an electrical line with protections against voltage peaks, overvoltages and harmonics free.
12. The ambient temperature around the luminaire must not exceed the indicated values on the product labelling. The service life of the luminaire is reduced by increasing the temperature above 25°C.
13. If the luminaire tightness degree is $IP66$, it must be installed in places with a humidity lower than 70%.
14. Except as otherwise indicated in other product documentation, this product is not indicated for use in atmospheres with chemical, corrosive or explosive elements.

MAINTENANCE

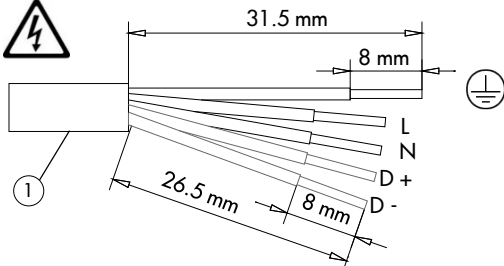
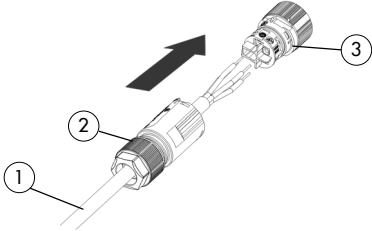
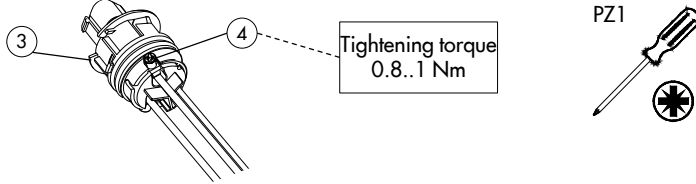
15. Use only dry dusters, water or neutral degreasers to clean the product, the use of other chemical substances could damage it.
16. In case of need for repair, contact LUXINTEC to receive appropriate instructions for each type of repair.

RECYCLING

17. After using the product do not throw it away and deliver it to an approved waste manager following the local guidelines or regulations.
18. Packaging material is recyclable. To dispose it, previously separate the elements of paper, plastic and metals, placing them in specific recycling containers for each type of material.

LIABILITY AND GUARANTEE

19. LUXINTEC, S.L. is exempt from all liability arising from the incorrect installation, location, operation, maintenance and recycling of the product.
20. LUXINTEC, S.L. guarantees the product only if:
 1. it is fed by a power supply provided by LUXINTEC.
 2. its installation and operation complies with the instructions described on this document.
21. The general guarantee terms of the product are available at www.luxintec.com.

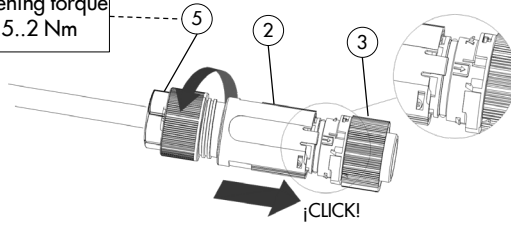
<p>1</p> <p>Peel the conductors of the supply cable ①.</p>	 <div style="display: flex; justify-content: space-between;"> <div data-bbox="501 906 700 1045" style="border: 1px solid black; padding: 5px;"> <p>CONNECTOR WITH 3 CONTACTS</p> <p>L → LINE N → NEUTRAL ⊕ → EARTH</p> </div> <div data-bbox="711 885 1080 1045" style="border: 1px solid black; padding: 5px;"> <p>CONNECTOR WITH 5 CONTACTS</p> <p>1 → LINE 2 → DALI + 3 → DALI - N → NEUTRAL ⊕ → EARTH</p> </div> </div>
<p>2</p> <p>Pass the supply cable ① through the connection body ② and connect it to the connection block ③.</p>	
<p>3</p> <p>Tighten the screws ④ of the connection block ③ to fix the conductors.</p>	 <div style="border: 1px solid black; padding: 5px; display: inline-block;"> <p>Tightening torque 0.8..1 Nm</p> </div>

4

Clip the connection block (3) to the connector body (2).

Tighten the nut (5) of the connector body (2).

Tightening torque
1.5..2 Nm

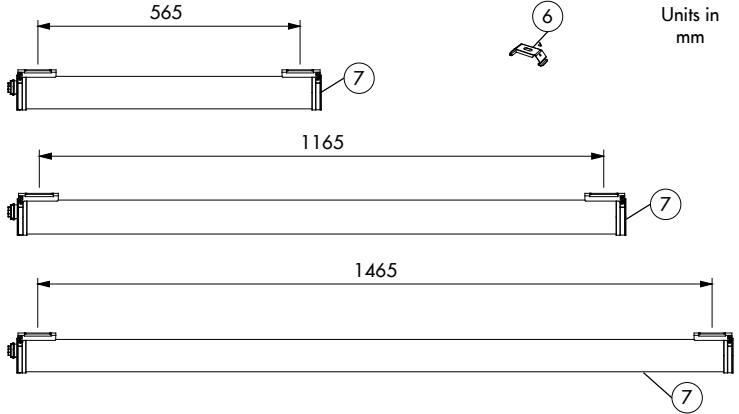


16mm



5

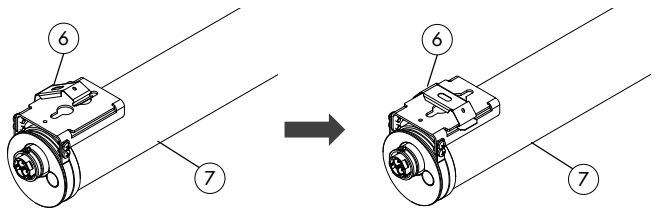
Fix the 2 fixing springs (6) to the surface using the appropriate screws and plugs to the surface and to the weight of the luminaire (7).



6

Clip one side of the fixing springs (6) to the luminaire (7).
Clip the other side of the fixing springs (6) to the luminaire (7).

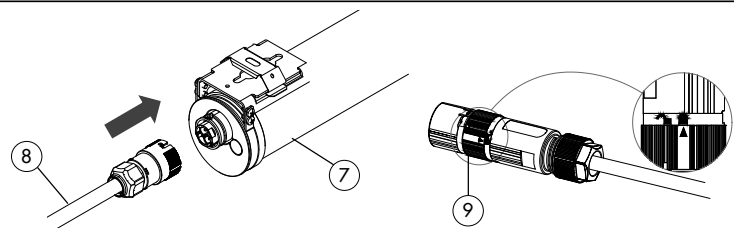
Repeat step 6 to fix other fixing springs at the opposite side of the luminaire (7).



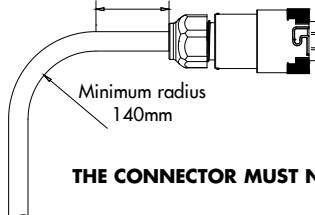
7

Connect the electrical supply cable with connector (8) to the luminaire (7).

Assure the closing (9) correctly.



Minimum 70mm



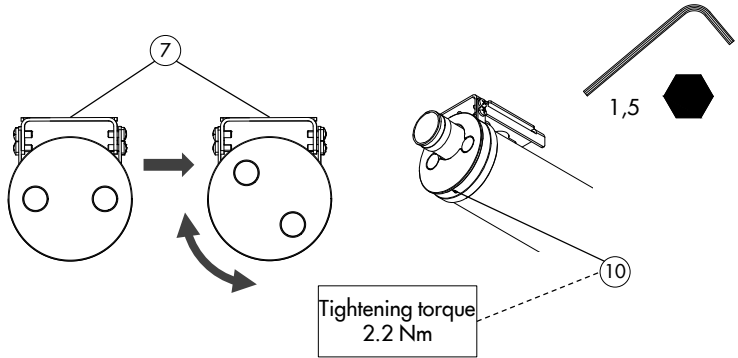
Minimum radius
140mm

THE CONNECTOR MUST NOT BE SUBJECT TO STRESS

8

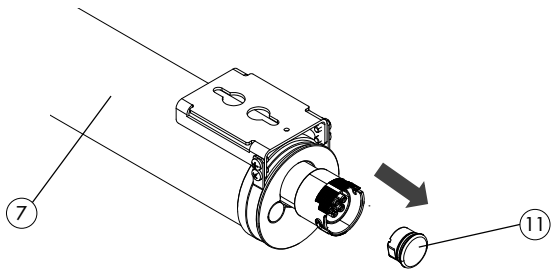
Rotate the luminaire ⑦ to the degrees necessary to guide the light.

Press the lower asparagus ⑩ to fix the position of the light engine.



9

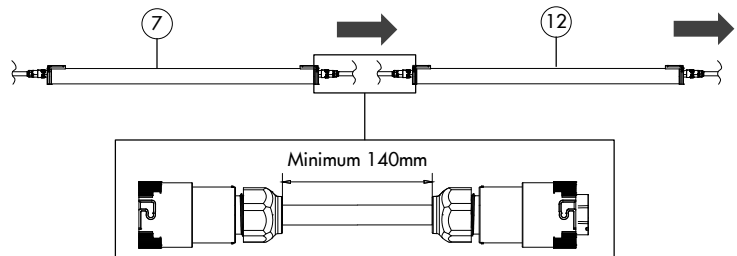
For line connection, remove the line end cap ⑪ of the luminaire ⑦.



10

Connect the luminaire ⑦ and ⑫ and respect the minimum length of hose indicated in the scheme.

NOTE: maximum intensity supported by the connector: 16A.



11

Electrically feed the luminaire/s.

Thanks for trusting on LUXINTEC.
 If you have any question about the installation, operation, maintenance or recycling of the luminaire, call the phone +34 983 130 056 or send us an email to luxintec@luxintec.com.