


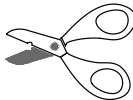



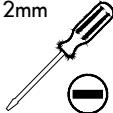


INSTALLATION, OPERATION, MAINTENANCE AND RECYCLING INSTRUCTIONS

PACKAGING CONTENT

TOOLS REQUIRED

<p>XPOTS1 WITH KIT</p>   x1  x1	 <p>Cable stripper</p>
<p>XPOT111 WITH KIT</p>   x1  x1	 <p>2mm</p>

Thank you for purchasing a LUXINTEC luminaire with high performance and durability, and environmental friendly.

PRECAUTIONS

1. Disconnect the power supply to the cable before the installation and maintenance of the product.
2. All installation and maintenance operations must be done by a qualified electrician.
3. The installation, operation, maintenance and recycling of the product must be carried out while complying with the applicable rules and guidelines. An electric technician must issue a declaration of conformity of the installation with those rules and guidelines.
4. All the connections must be protected by connectors and/or cable insulators standardized for the application.
5. The installation, location and operation of the product must be carried out in a way that all the parameters specified in the label and documentation delivered with the product are met. If this information cannot be found, do not proceed with its installation and contact LUXINTEC.
6. Keep this document for future reference.
7. The pictures are for reference, they may not coincide exactly with the product received.

LOCATIONS

8. Interior or exterior of buildings under cover.
9. Ventilated spaces and always used for people activities.

OPERATION

10. Connect the luminaire to mains voltage in the range indicated on the product labelling.
11. The product can only be connected to an electrical line with protections against voltage peaks, overvoltages and harmonics free.
12. The ambient temperature around the luminaire must not exceed the indicated values on the product labelling. The service life of the luminaire is reduced by increasing the temperature above 25°C.
13. If the luminaire tightness degree is $IP66$, it must be installed in places with a humidity lower than 70%.
14. Except as otherwise indicated in other product documentation, this product is not indicated for use in atmospheres with chemical, corrosive or explosive elements.

MAINTENANCE

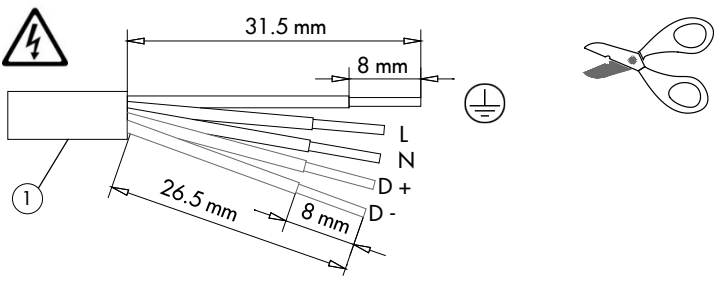
15. Use only dry dusters, water or neutral degreasers to clean the product, the use of other chemical substances could damage it.
16. In case of need for repair, contact LUXINTEC to receive appropriate instructions for each type of repair.

RECYCLING

17. After using the product do not throw it away and deliver it to an approved waste manager following the local guidelines or regulations.
18. Packaging material is recyclable. To dispose it, previously separate the elements of paper, plastic and metals, placing them in specific recycling containers for each type of material.

LIABILITY AND GUARANTEE

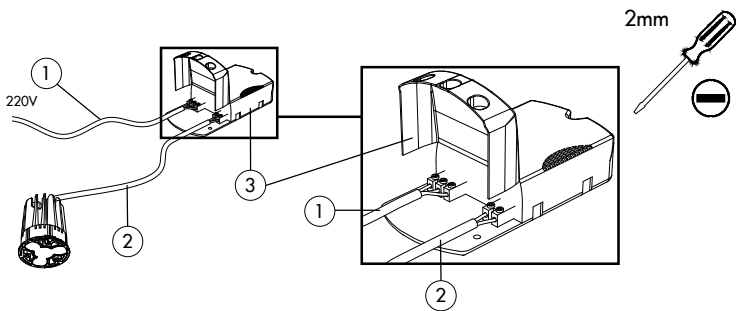
19. LUXINTEC, S.L. is exempt from all liability arising from the incorrect installation, location, operation, maintenance and recycling of the product.
20. LUXINTEC, S.L. guarantees the product only if:
 1. it is fed by a power supply provided by LUXINTEC.
 2. its installation and operation complies with the instructions described on this document.
21. The general guarantee terms of the product are available at www.luxintec.com.

<p>1</p> <p>Peel the conductors of the supply cable ①.</p> <p>Check whether the power supply requires a ground line to choose the cable needed.</p> <p>D+ and D- conductors are only required if the power supply has DALI control.</p>	 <p style="text-align: center;">Maximum cable section 1.5mm²</p>
---	---

A. XPOT51

2.A

Connect the conductors of the supply cable ① and the conductors ② of the luminaire in the power supply ③.



CABLE COLOUR CODING

- + Positive → Red or Brown cable
- Negative → Black or blue cable

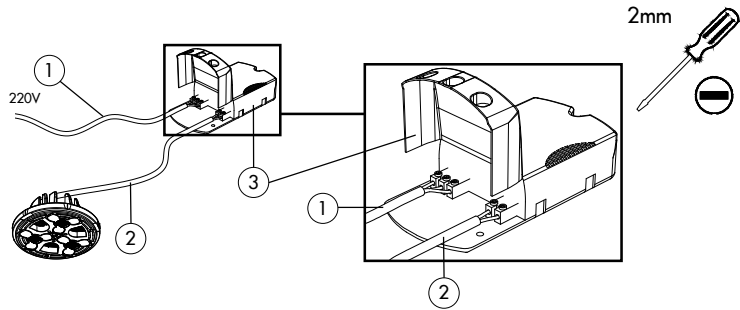
B. XPOT11

2.B

Connect the conductors of the supply cable ① and the conductors ② of the luminaire in the power supply ③.

CABLE COLOUR CODING

- + Positive → Red or Brown cable
- Negative → Black or blue cable



3

Electrically feed the lamp.

Thanks for trusting on LUXINTEC.

If you have any question about the installation, operation, maintenance or recycling of the luminaire, call the phone +34 983 130 056 or send us an email to luxintec@luxintec.com.

