

5 YEARS WARRANTY

IP65

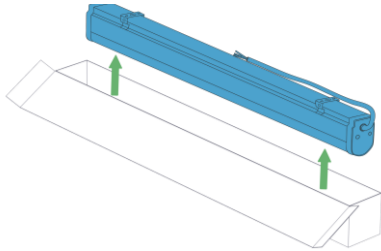
RoHS Compliant



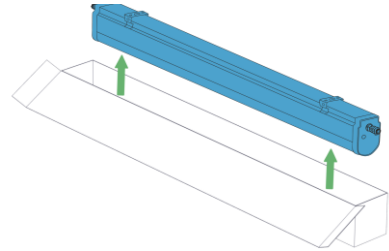
TRERON LUMINAIRES INSTALLATION GUIDE

READ THE INSTRUCTIONS CAREFULLY BEFORE STARTING

INSIDE THE BOX



STANDARD VERSION (p.4)

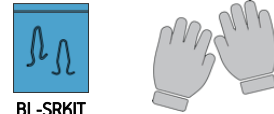


LINKABLE VERSION (p.4)

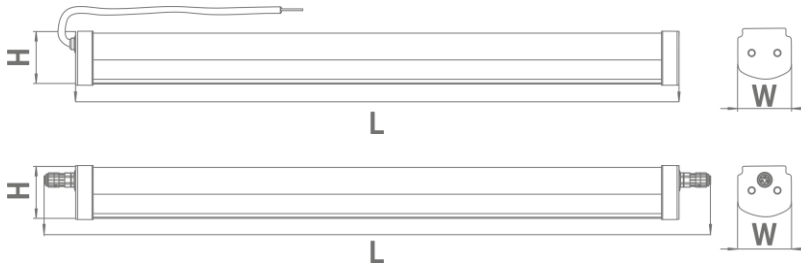
NEEDED FOR MOUNTING



SURFACE MOUNTING (p.2)



ROPE MOUNTING (p.3)



STANDARD VERSION

L, mm	W, mm	H, mm
600 / 1200	51	53

LINKABLE VERSION

L, mm	W, mm	H, mm
609 / 1209	51	53

WARNING

! Turn power off before inspection, installation or removal.

- Properly ground electrical enclosure.
- Perform installation in dry location only.
- Luminaire may fall down if not installed properly.
- Avoid direct eye exposure to the light source while it is on.
- For indoor use only.
- Do not operate luminaire with damaged parts.
- To prevent wiring damage or abrasion, do not expose wiring to edges of sheet metal or other sharp objects.
- The manufacturer shall not be liable for any damage resulting from inappropriate modifications to the luminaire or faulty installation.

If you have any questions, contact the manufacturer.

5 YEARS WARRANTY

TRERON LUMINAIRES INSTALLATION GUIDE

IP65

RoHS Compliant

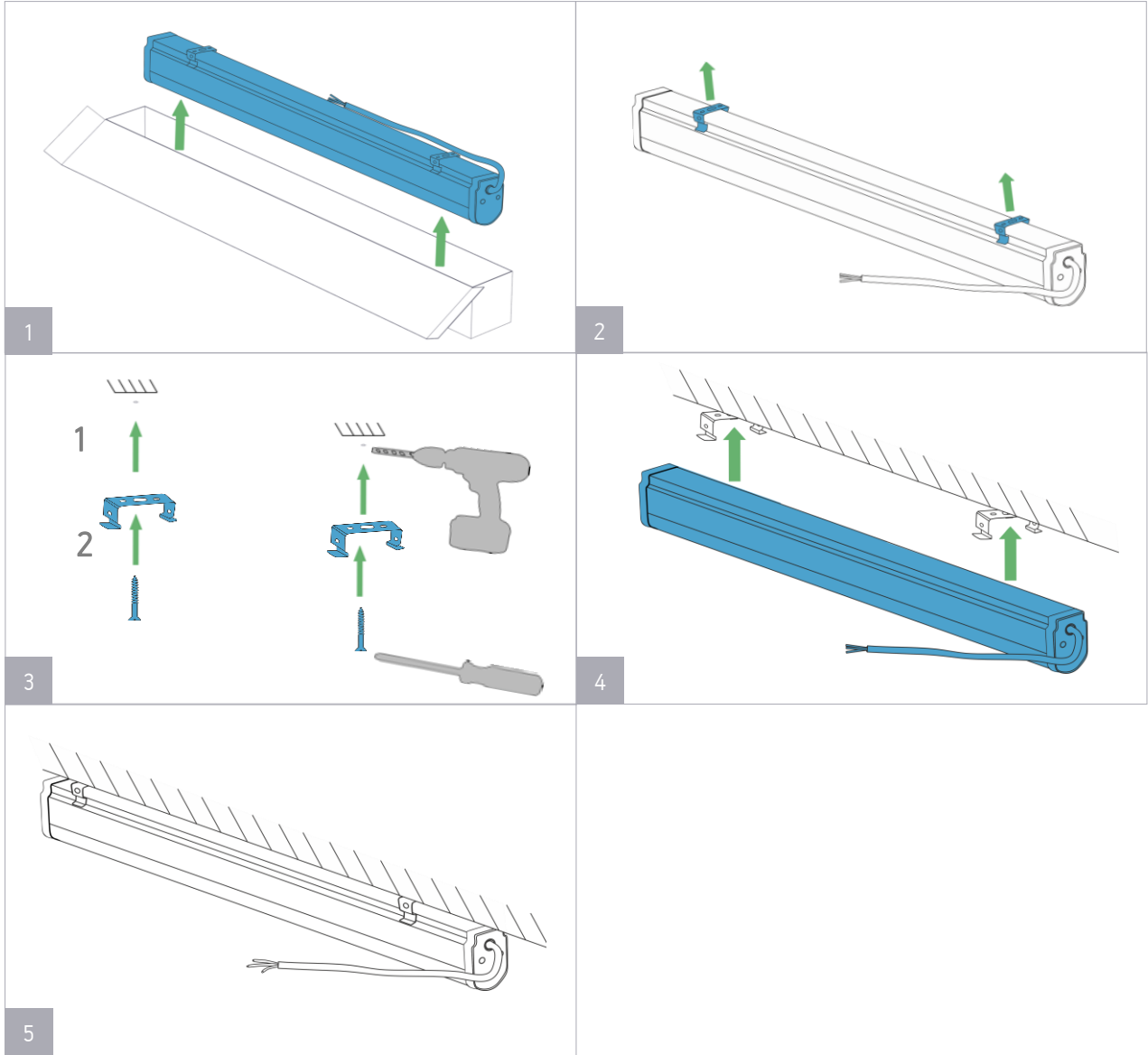
CE

—

F

1. MOUNTING

1.1. SURFACE MOUNTING



5 YEARS WARRANTY

TRERON LUMINAIRES INSTALLATION GUIDE

IP65

1. MOUNTING

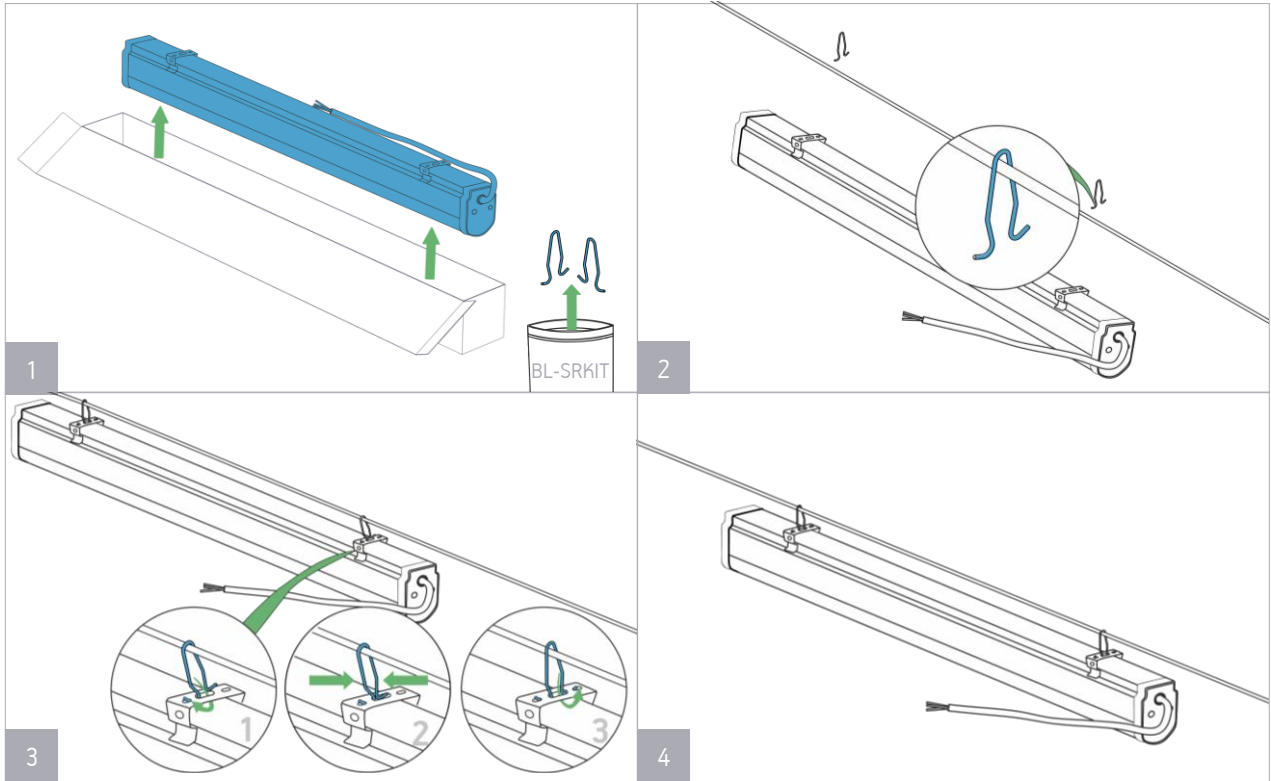
RoHS Compliant

1.2. ROPE MOUNTING

CE

RoHS Compliant

F



5 YEARS WARRANTY

TRERON LUMINAIRES INSTALLATION GUIDE

IP65

2. CONNECTION

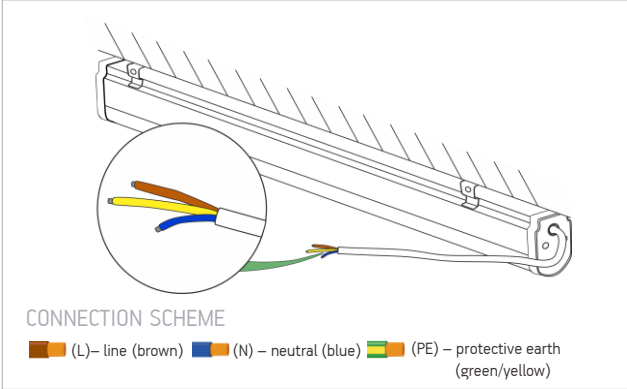
RoHS Compliant

CE

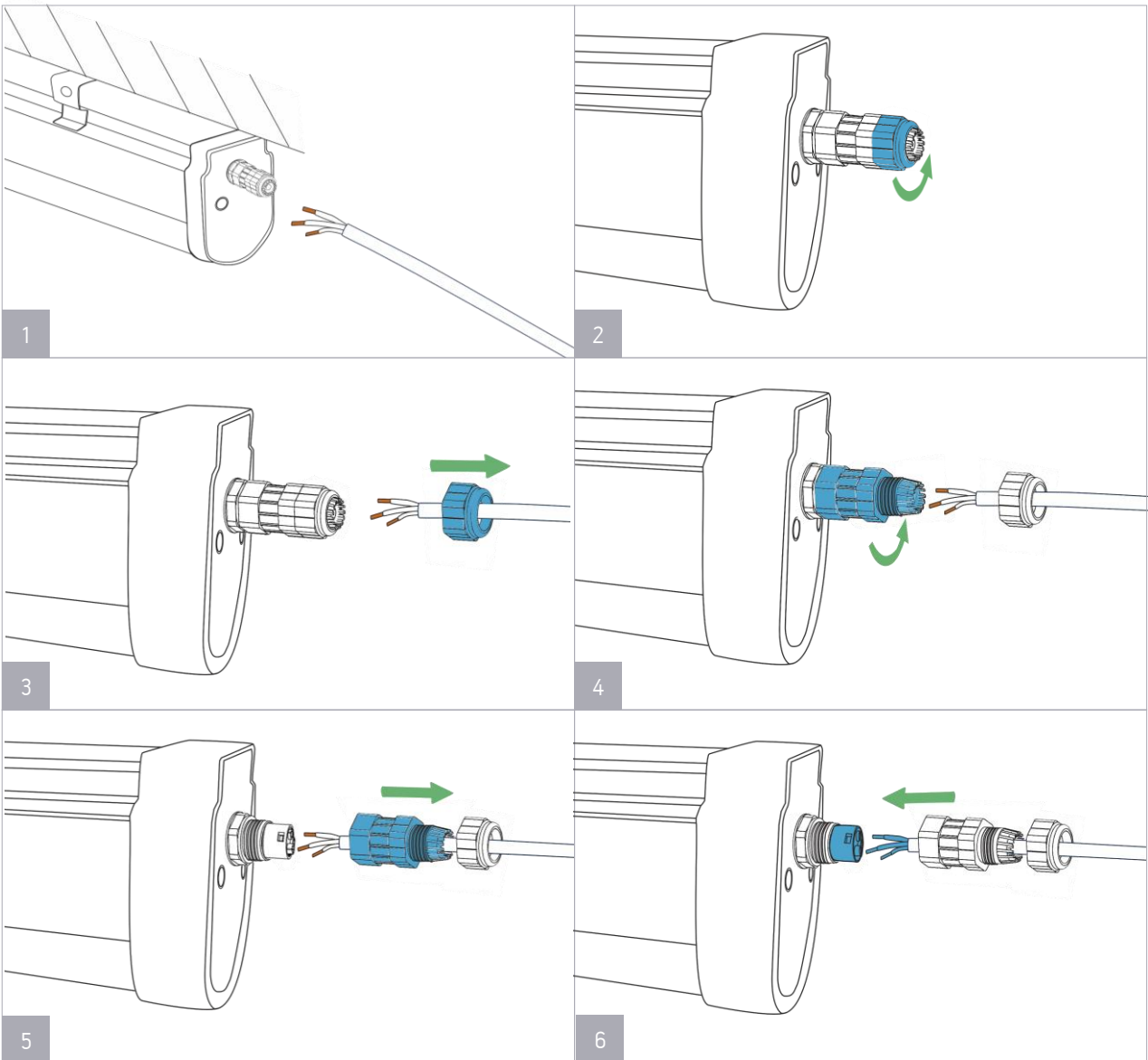
—

F

2.1. STANDARD CONNECTION



2.2. LINKABLE CONNECTION



© 2020, All rights reserved BaltLED, UAB. Specifications are subject to change without notice.

5 YEARS WARRANTY

TRERON LUMINAIRES INSTALLATION GUIDE

IP65

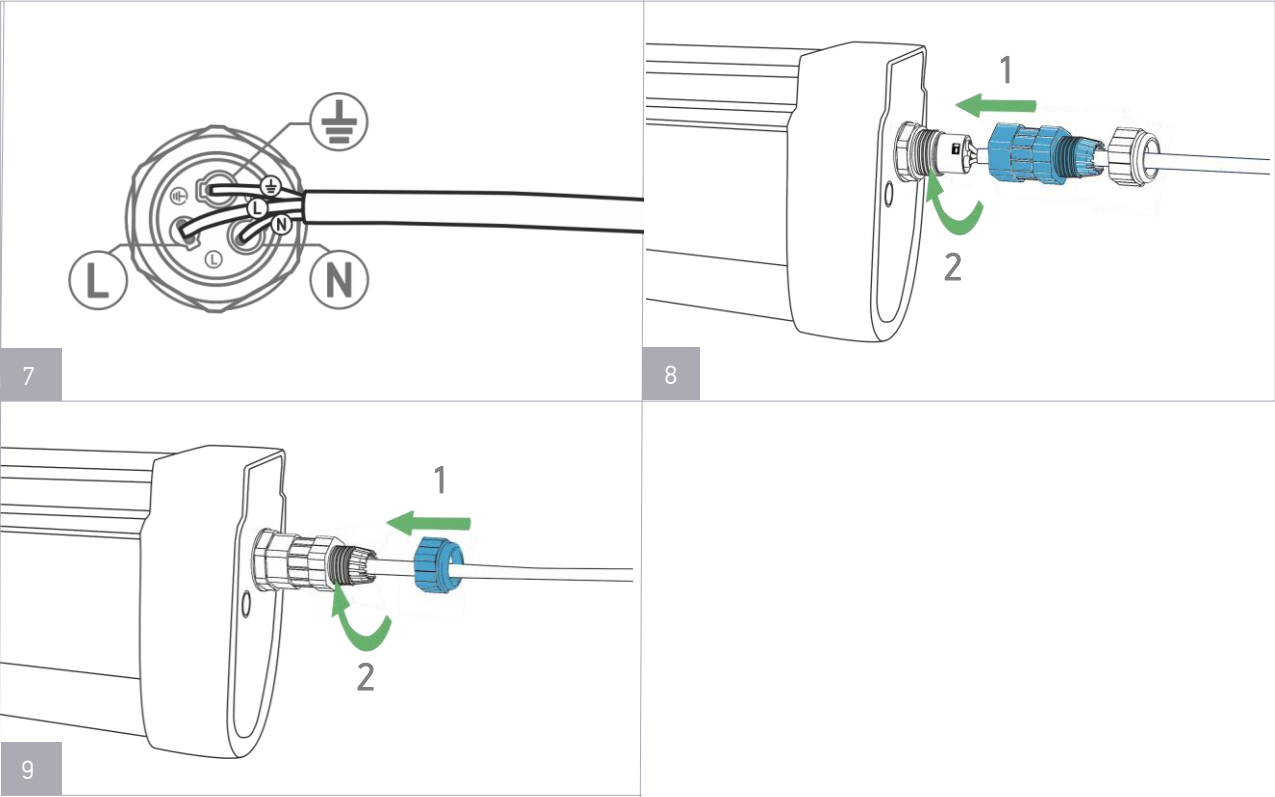
2.2. LINKABLE CONNECTION

RoHS Compliant

CE

—

F



QUANTITY OF LUMINAIRES PER CIRCUIT BREAKER

SKU	LUMINAIRE QTY PER 16A TYPE C CIRCUIT BREAKER
BWLP-BL-060A120840E16	210
BWLP-BL-060A120840E16-TR	210
BWLP-BL-060A120840E20	160
BWLP-BL-060A120840E20-TR	160
BWLP-BL-120A120840E24	130
BWLP-BL-120A120840E24-TR	130
BWLP-BL-120A120840E32	100
BWLP-BL-120A120840E32-TR	100
BWLP-BL-120A120840E40	80
BWLP-BL-120A120840E40-TR	80

© 2020, All rights reserved BaltLED, UAB. Specifications are subject to change without notice.