



vizulo

NEST CLASSIC

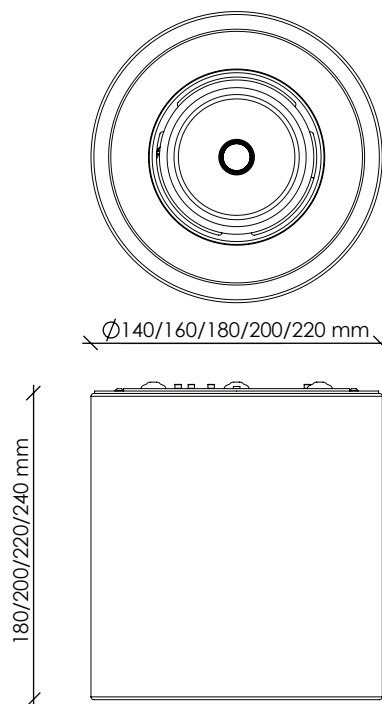
CE RoHS



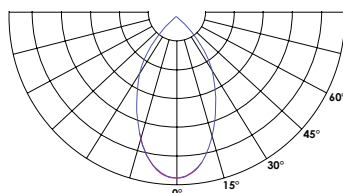
## COLOR OPTIONS

RAL9016

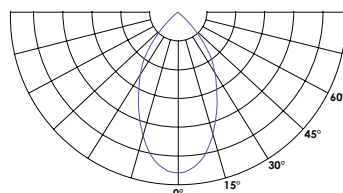
## DIMENSIONS



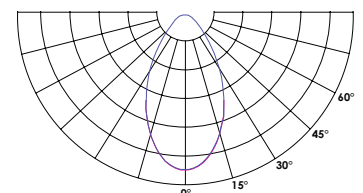
## OPTICS



No cover



Glass



Matt

## TYPE OF DIFFUSER

Glass

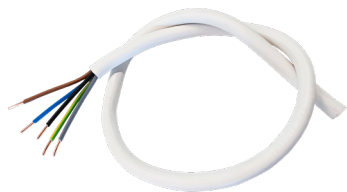
Matt

# TECHNICAL INFORMATION

<b>Voltage</b>	220 ... 240 V
<b>Frequency</b>	50 Hz
<b>Power</b>	15/20/25 W
<b>Luminous flux</b>	1540...2685 lm
<b>Luminous efficacy</b>	90...113 lm/W
<b>Distribution angle</b>	55°
<b>Color rendering index</b>	> 80
<b>Correlated color temperature</b>	3000; 4000 K
<b>Chromaticity tolerance (initial MacAdam)</b>	3
<b>Power factor</b>	> 0,85
<b>Ambient temperature</b>	+10 ... +35 °C
<b>Ingress protection</b>	IP20/ IP40 with glass cover
<b>Insulation class</b>	Class II
<b>Body material</b>	Aluminium
<b>Cover type</b>	Clear glass
<b>Dimming</b>	DALI
<b>Service life</b>	50 000 h (L90B50) at Ta = 25 °C 100 000 h (L80B50) at Ta = 25 °C
<b>Warranty</b>	3...5 years (depending on modification)

Technical parameters for final product can differ from typical data by 10% due to special conditions of LED manufacturing processes.

## ACCESSORIES



70042016 Connection cable 5x1.5mm<sup>2</sup>  
(x2.5m) with open end



70042018 Connection cable 3x1.5mm<sup>2</sup>  
(x2.5m) with open end

70042019 Connection cable 3x2.5mm<sup>2</sup>  
(x2.5m) with open end



70042020 Connection cable 2x1.5mm<sup>2</sup>  
(x2.5m) with open end

70042021 Connection cable 2x2.5mm<sup>2</sup>  
(x2.5m) with open end



70042022 Connection cable 3x1.5mm<sup>2</sup>  
(x2.5m) with plug

70042023 Connection cable 2x1.5mm<sup>2</sup>  
(x2.5m) with plug

## ACCESSORIES



70042010 Connection cable 2x1.5mm<sup>2</sup> (x2.5m)  
with Ensto(NAC21S.W) 2-way plug

70042015 Connection cable 2x2.5mm<sup>2</sup> (x2.5m)  
with Ensto(NAC21S.W) 2-way plug



70042009 Connection cable 5x1.5mm<sup>2</sup> (x2.5m)  
with Ensto(NAC51S.W) 5-way plug



70042008 Connection cable 2x1.5mm<sup>2</sup> (x2.5m)  
with Wago Winsta(770-112/041-000) 2-way plug

70042013 Connection cable 2x2.5mm<sup>2</sup> (x2.5m)  
with Wago Winsta(770-112/041-000) 2-way plug

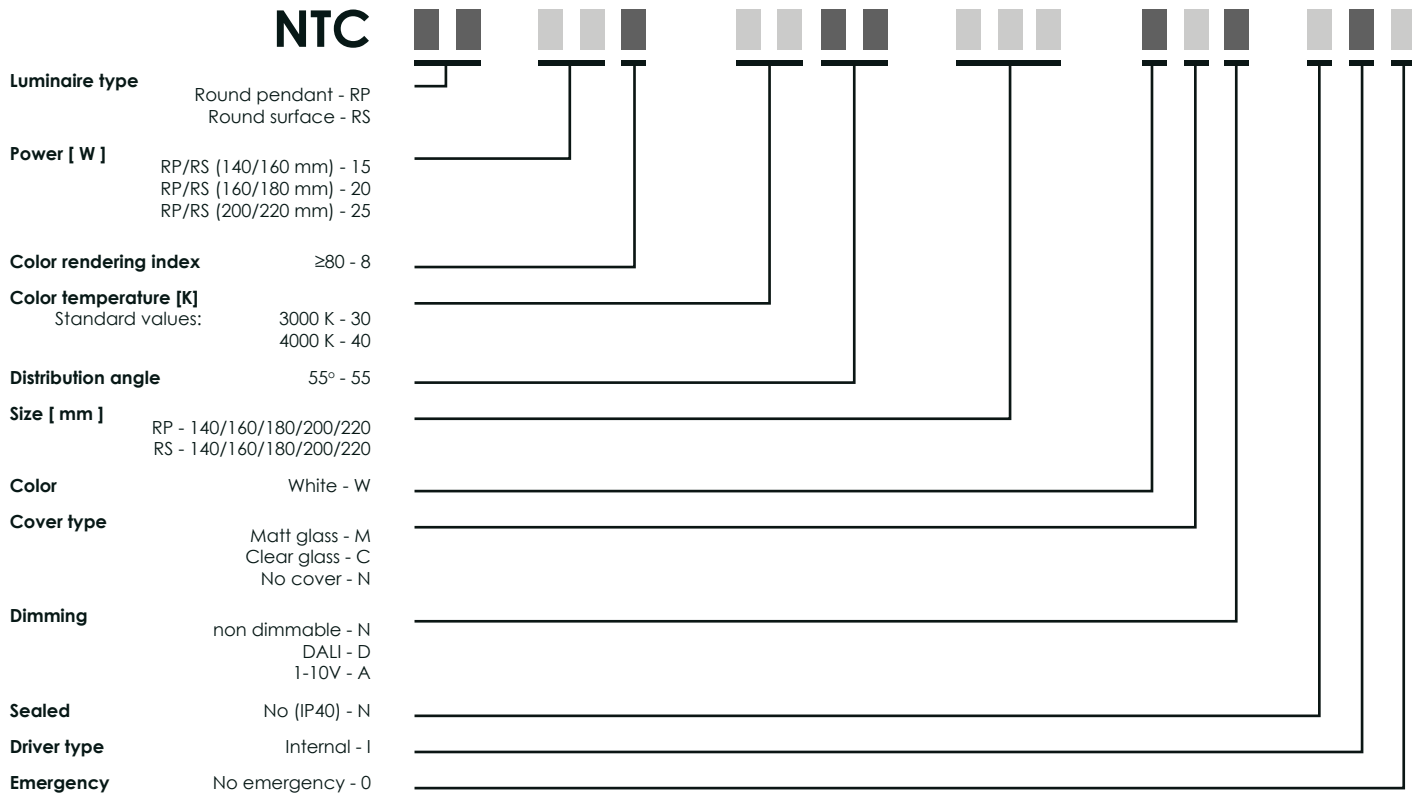


70042007 Connection cable 5x1.5mm<sup>2</sup> (x2.5m)  
with Wago Winsta(770-115) 5-way plug

70042030 Connection cable with DALI 5x1.5mm<sup>2</sup> (x2.5m)  
with Wago Winsta(770-1115) 5-way plug

# MODEL NAME PRINCIPLES

## NTC



\* OTHER CODES CAN BE GENERATED AFTER CUSTOMER REQUEST!