

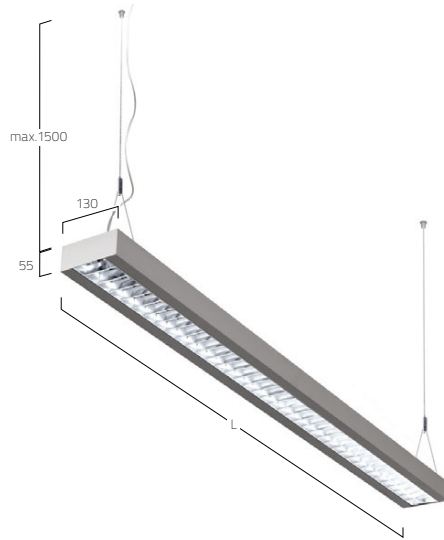
VISION
SUSPENDED DIRECT-INDIRECT | G2/P2



DE LED-Pendelleuchte. Direkt-indirekt oder rein direktstrahlend. Lichtkanal aus Aluminiumprofil mit 130mm Breite. Millimetergenaue Längenfertigung nach Vorgabe möglich. Oberfläche natureloxiert oder weiß, graphit, schwarz, champagner oder kupferfarben lackiert. Weitere Oberflächenoptionen siehe Lightnet-Surface-Collection oder RAL nach Wahl. Microprismenoptik und Satin Louver für Office-Anwendungen. Opaldiffusor aus satiniertem Acrylglas für Allgemeinbeleuchtung. Wallwasher für homogene vertikale Beleuchtung. Konverter in Leuchtgehäuse integriert, wahlweise einfach schaltbar oder stufenlos dimmbar (1-10V, DALI, Touch-Dim, Casambi). Farbtemperaturen 2200K, 2700K, 3000K, 3500K, 4000K oder 6500K. Binning initial \leq MacAdam 3. Farbwiedergabe CRI>80 oder CRI>90. Stufenlos höhenverstellbare Y-Seilabhängung mit transparent ummantelter Zuleitung. Auf Anfrage: Integration von Notlichtkomponenten.

EN LED pendant luminaire. Direct-indirect or direct-only light distribution. Light channel made of aluminium profile with 130mm width. Precise length production according to specifications possible. Surface natural anodised or white, graphite, black, champagne or copper coated. Further surface options see Lightnet-Surface-Collection or RAL of your choice. Microprismatic and satin louver for office purposes. Opal diffuser made of acrylic glass for general lighting. Wallwasher for homogeneous vertical illuminance. Converter integrated into luminaire housing, optionally switchable or dimmable (1-10V, DALI, Touch-Dim, Casambi). Colour temperatures 2200K, 2700K, 3000K, 3500K, 4000K or 6500K. Binning initial \leq MacAdam 3. Colour rendering CRI>80 or CRI>90. Height-adjustable Y-cord suspension with transparent power supply cable. On request: Integration of emergency lighting components.

FR Luminaire LED suspendu. Éclairage direct/indirect ou seulement direct. Rail lumineux en profilé d'aluminium avec largeur de 130mm. Fabrication au millimètre près des longueurs selon les spécifications. Surface anodisée ou laquée blanc, graphite, noir, champagne ou cuivre. Autres options de finition voir Lightnet-Surface-Collection ou RAL au choix. Optique microprismatique et satin louver pour postes de travail. Diffuseur opale en verre acrylique pour éclairage général. Wallwasher pour un éclairage vertical homogène. Driver intégré dans le luminaire, au choix ON/OFF ou graduable (1-10V, DALI, Touch-Dim, Casambi). Température de couleur 2200K, 2700K, 3000K, 3500K, 4000K ou 6500K. Binning initial \leq MacAdam 3. Rendu de couleur CRI>80 ou CRI>90. Suspension en Y réglable en hauteur avec câble d'alimentation transparent. Sur demande: Intégration de composants d'éclairage de secours



PRODUCT-CODE: **V P 2 A E E - 8 30 M - L890 - Y**

PRODUCT FAMILY - **V**: Vision

TYPE - **G2**: Direct, **P2**: Direct-Indirect

OPTICAL SYSTEM - **O**: Opal, **A**: Microprismatic, **M**: Satin Louver, **G**: Wallwasher

SURFACE FINISH - **W**: Snow White, **E**: Silver Anodised, **U**: Urban Graphite, **B**: Jet Black, **H**: Champagne Silver, **K**: Satin Copper

CONTROL GEAR - **E**: On/Off, **L**: DALI, **D**: 1-10V, **H**: Touch-Dim, **C**: Casambi

COLOUR REND. - **8**: CRI>80, **9**: CRI>90, **F**: Full Spectrum

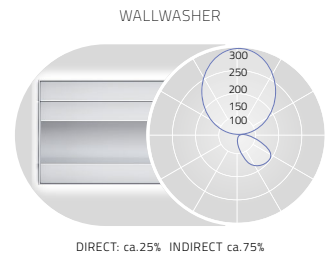
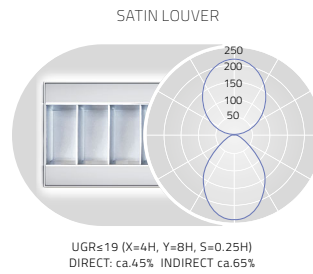
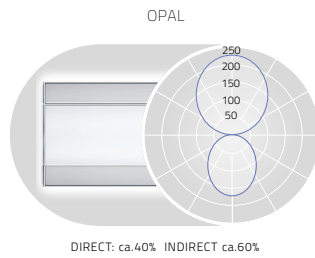
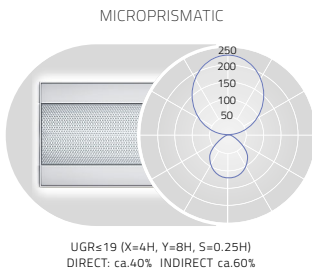
COLOUR TEMP. - **22**: 2200K, **27**: 2700K, **30**: 3000K, **35**: 3500K, **40**: 4000K, **65**: 6500K

POWER - **M**: Medium Power, **H**: High Power

SIZE - Luminaire length in mm: **L890, L1182, L1475, L1765, L2055**

SUSPENSION - **Y**: Y-Cord Suspension

ON REQUEST - Special Length Versions, 90°-Corner, Midpin Spotlights/Downlights, Emergency Module, Multisensor, Cable colour Red or Black



L mm	Lumen/Watt Medium Power	Lumen/Watt High Power
890	7040lm/60W	9120lm/81W
1182	9390lm/84W	12160lm/114W
1475	11740lm/102W	15200lm/138W
1765	14080lm/120W	18240lm/162W
2055	16430lm/144W	21280lm/195W

L mm	Lumen/Watt Medium Power	Lumen/Watt High Power
890	7260lm/60W	9400lm/81W
1182	9680lm/84W	12540lm/114W
1475	12100lm/102W	15670lm/138W
1765	14520lm/120W	18800lm/162W
2055	16940lm/144W	21940lm/195W

L mm	Lumen/Watt Medium Power	Lumen/Watt High Power
890	7400lm/60W	9580lm/81W
1182	9860lm/84W	12770lm/114W
1475	12330lm/102W	15960lm/138W
1765	14790lm/120W	19150lm/162W
2055	17260lm/144W	22350lm/195W

L mm	Lumen/Watt Medium Power	Lumen/Watt High Power
890	5560lm/49W	7310lm/65W
1182	7410lm/62W	9740lm/84W
1475	9270lm/75W	12170lm/102W
1765	11110lm/88W	14610lm/120W
2055	12970lm/106W	17040lm/145W

DIRECT: 100%

L mm	Lumen/Watt Medium Power	Lumen/Watt High Power
890	2820lm/33W	3650lm/44W
1182	3760lm/42W	4870lm/57W
1475	4700lm/51W	6080lm/69W
1765	5640lm/60W	7300lm/81W
2055	6580lm/75W	8520lm/101W

DIRECT: 100%

L mm	Lumen/Watt Medium Power	Lumen/Watt High Power
890	3040lm/33W	3930lm/44W
1182	4050lm/42W	5240lm/57W
1475	5060lm/51W	6560lm/69W
1765	6080lm/60W	7870lm/81W
2055	7090lm/75W	9180lm/101W

DIRECT: 100%

L mm	Lumen/Watt Medium Power	Lumen/Watt High Power
890	3170lm/33W	4110lm/44W
1182	4230lm/42W	5480lm/57W
1475	5290lm/51W	6850lm/69W
1765	6350lm/60W	8220lm/81W
2055	7400lm/75W	9590lm/101W

DIRECT: 100%

L mm	Lumen/Watt Medium Power	Lumen/Watt High Power
890	1340lm/16W	1840lm/21W
1182	1780lm/20W	2450lm/27W
1475	2230lm/24W	3060lm/33W
1765	2670lm/28W	3670lm/39W
2055	3120lm/31W	4280lm/44W

Lumen Values: Luminaire luminous flux at 4000K/CRI>80. Other configurations on request.

