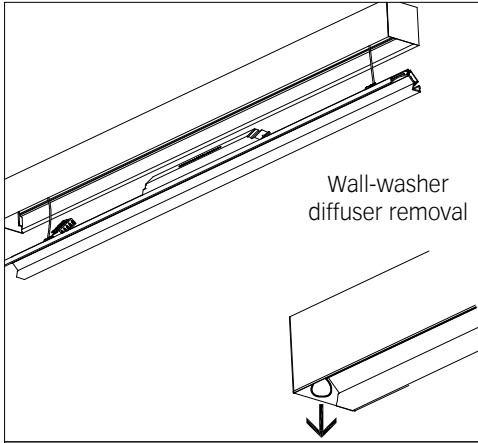
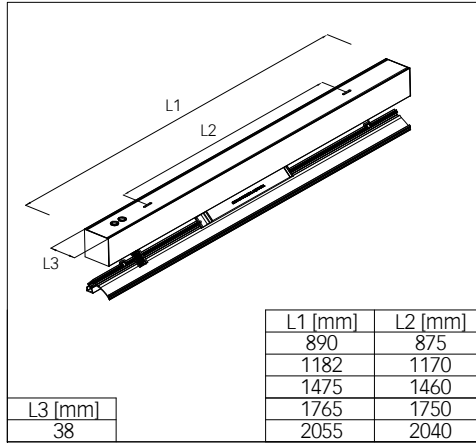


MATRIC 38MM SUSPENDED DIRECT INDIRECT | R1G

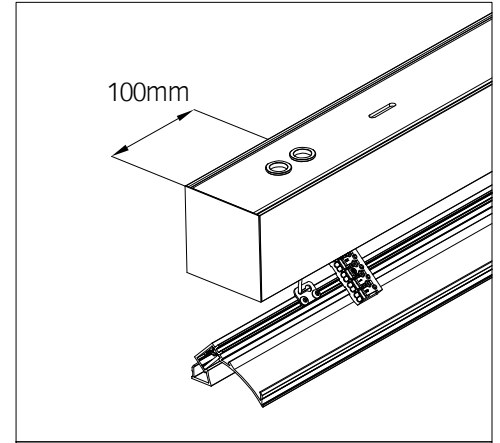
1. MONTAGE UND INSTALLATION | MOUNTING AND INSTALLATION:



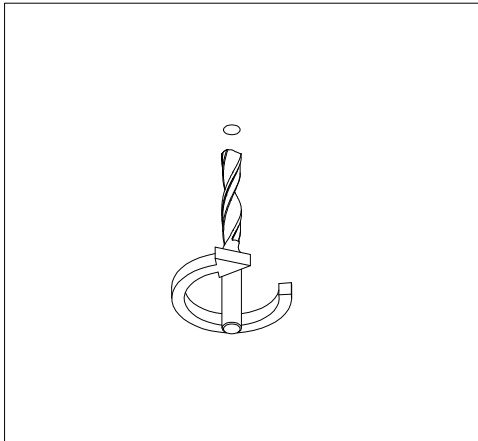
1. Bei allen Montagearbeiten Handschuhe tragen. Use gloves when handling the fixture.



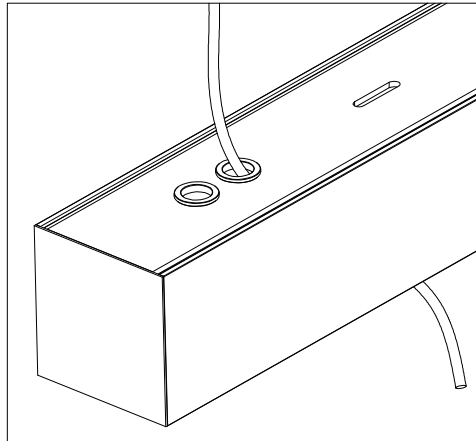
2. Montageöffnungen. Installation openings.



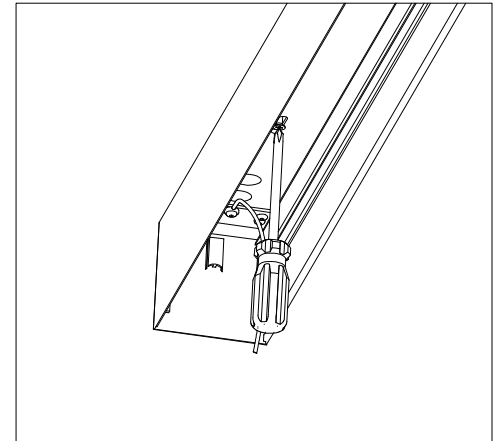
3. Leitungseinführung. Cable entry point.



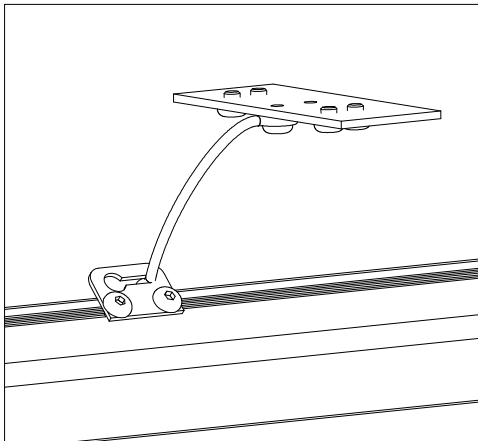
4.



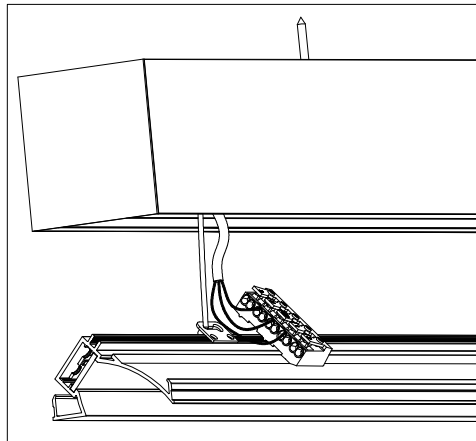
5.



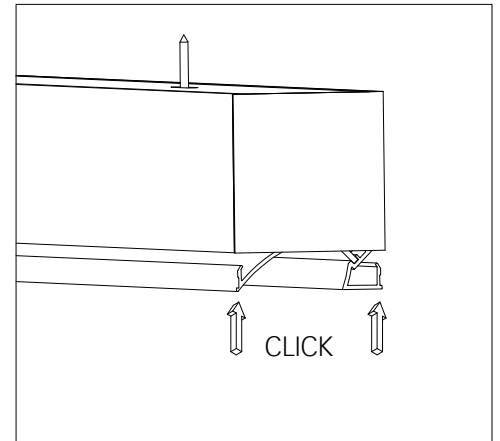
6.



7.



- min/max stripped wire length: 7mm-10mm
 - recommended power supply cable: 1,5-2,5mm



9. All LED gear trays are numbered and the numbering starts from the cable entry side. In non-standard luminaires the numbering of LED gear trays is made in accordance with technical drawings.